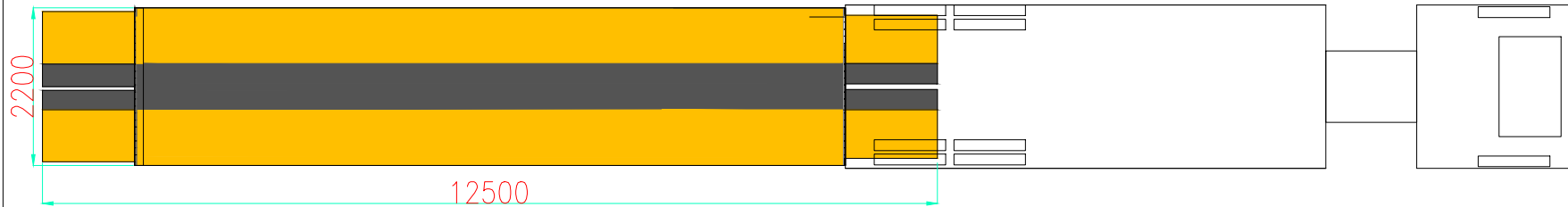
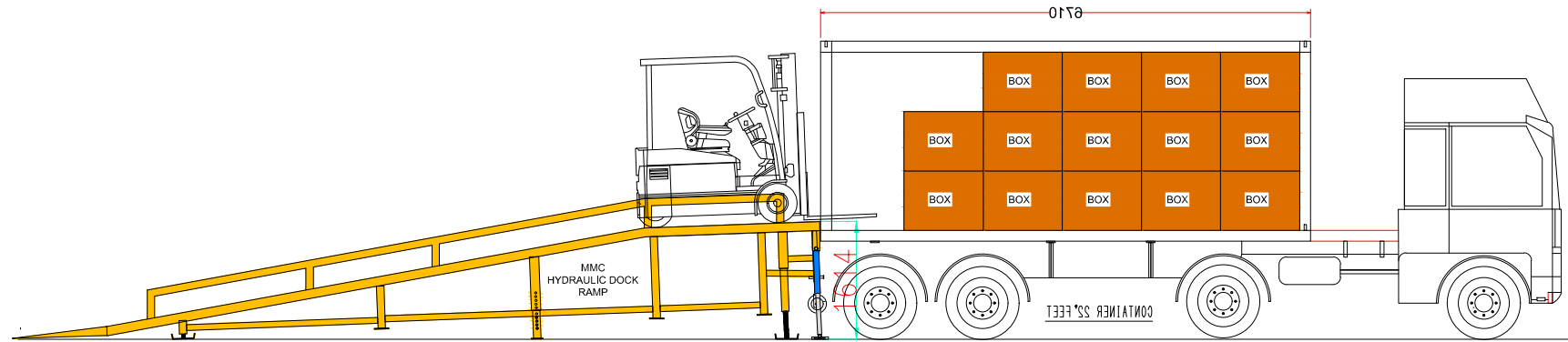
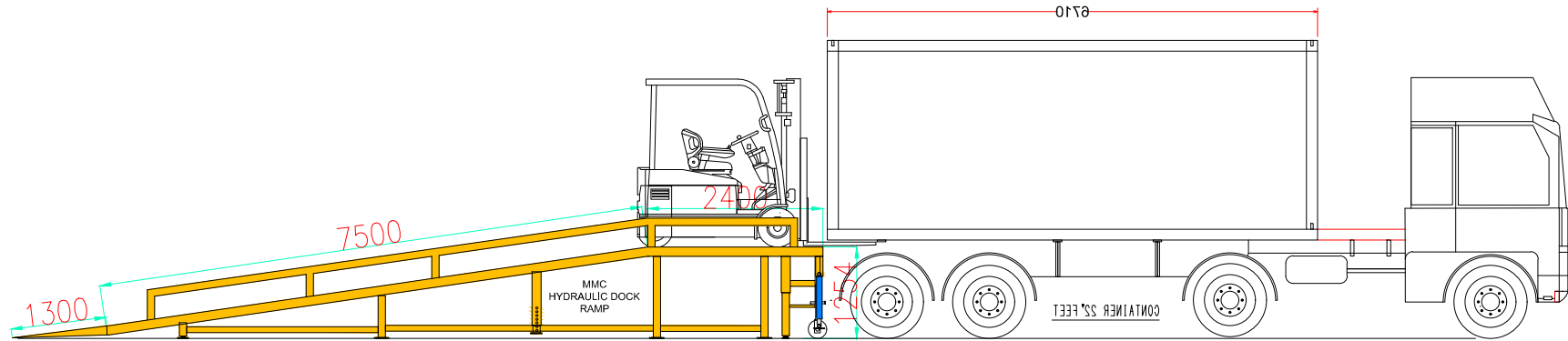


MMC HYDRAULIC DOCK RAMP



MM CONSULTANCY SERVICES, DEWAS		
S.NO	TECHNICAL SPECIFICATION	MM CONSULTANCY
1	MODEL	MMC HYDRAULIC DOCK RAMP
2	FRAME	12500 X 2200 X 125MM
3	RAMP LENGTH	9900MM (7500MM + 2400MM)
4	RAMP WIDTH	2200MM
5	RAMP MINIMUM HEIGHT	1200MM
6	RAMP MAXIMUM HEIGHT	1600MM
7	LOAD CAPACITY	6 TON
8	POWER PACK	MAUNUAL HYDRAULIC SYSTEM
9	PISTON	SINGLE PISTON
10	PLATFORM	CHEQUERED SHEET THK - 5MM
11	DEGREE OF INCLINATION	10°


MMC
www.truckloader.in
mmcsales@truckloader.in

MMC SERVICES			
www.mmconsultancy.in		www.truckloader.in	
CLIENT NAME	MMC HYDRAULIC DOCK RAMP		
TITLE	MMC HYDRAULIC DOCK RAMP		
PREPARED BY	VIRENDRA SINGH RATHORE		
APPROVED BY	ARJUN MALHOTRA	REV. DATE	00
SUBM. DATE	02/10/2021	Dwg No.	MMCS2019
ALL DIMENSIONS ARE IN MM.			