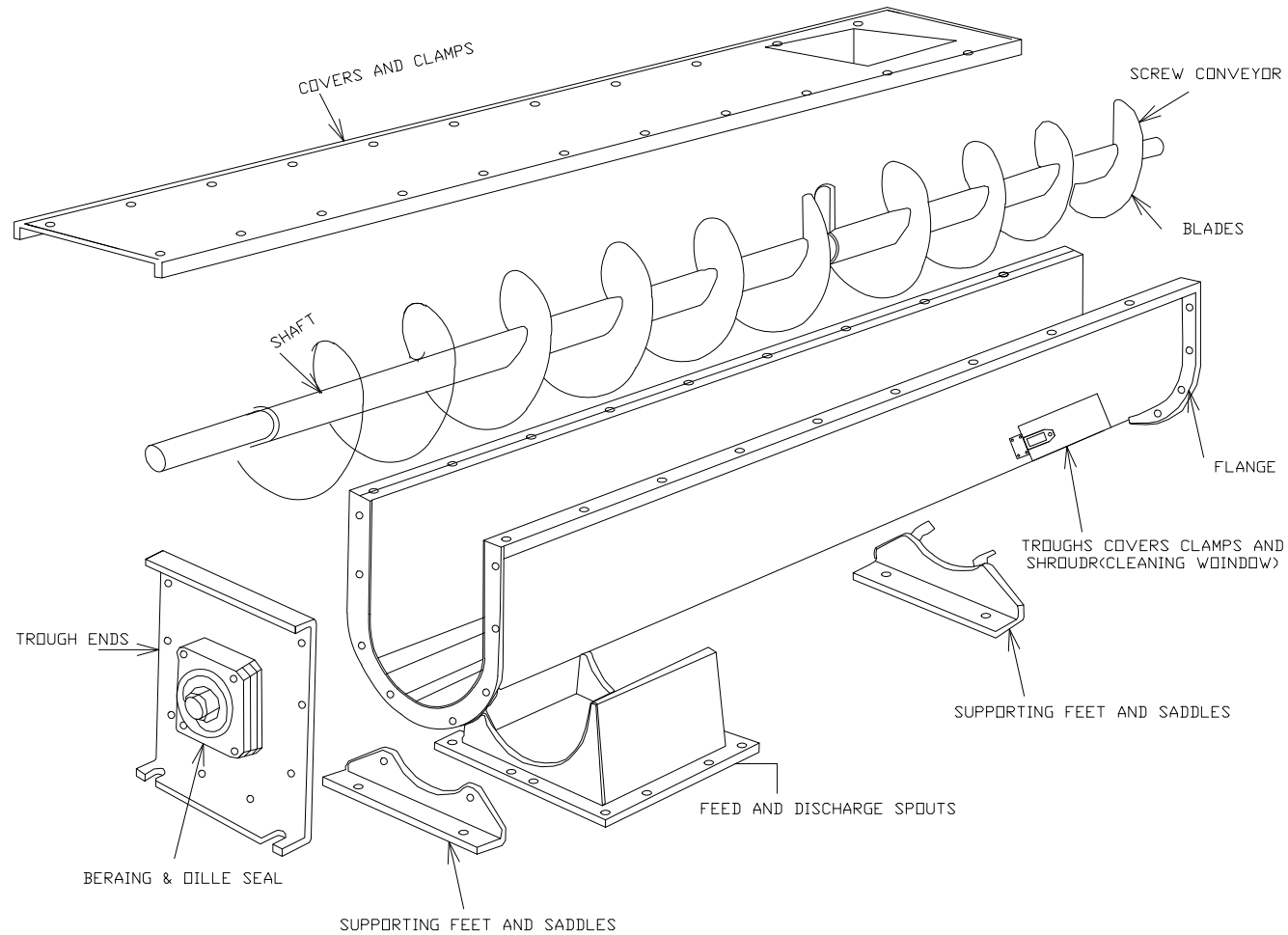


# MMC SCREW CONVEYOR



MM CONSULTANCY SERVICES, DEWAS		
S.NO.	TECHNICAL SPECIFICATION	MM CONSULTANCY
1	MODEL	MMC SCREW CONVEYOR
2	FRAME	U TROUGH CONVEYOR
3	FRAME MAKE	SS / MS MAKE
4	CONVEYOR SIZE	150 MM TO 500MM
7	LOAD CAPACITY	2 TON - 50 TON

  
[www.truckloader.in](http://www.truckloader.in)  
[mmcsales@truckloader.in](mailto:mmcsales@truckloader.in)

MMC SERVICES			
<a href="http://www.mnconsultancy.in">www.mnconsultancy.in</a>		<a href="http://www.truckloader.in">www.truckloader.in</a>	
CLIENT NAME			
TITLE			
PREPARED BY	VIRENDRA SINGH RATHORE		
APPROVED BY	ARJUN MALHOTRA	REV. DATE:	00
SUBM. DATE	02.10.2021	Dwg No.:	MMC/20-21/25
ALL DIMENSIONS ARE IN MM.			